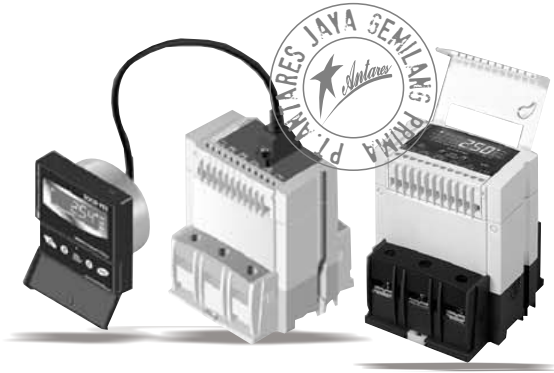


Electronic Over Current Relay (EOCR)

EOCR P Series



EOCR (Electronics Over Current Relay) is a Motor Protection Relay to protect your electric motor from burn out due to frequent and common problems.

Standard Features

Approval

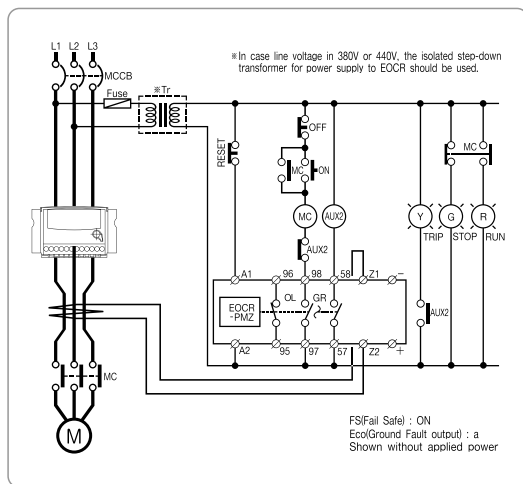
- Digital Display : Trip Cause / Easy Trouble Shooting, MCU (Microprocessor Control Unit) based.
- 3 Integral Current Transformer, Compact Design, Multiple Protection Function
- Wide Range Protection from 0.1 A to 3600 A, High Accuracy, Digital Ammeter, Test Function
- Manual Instantaneous Reset, Electrical Reset < 1 second by interruption of power supply
- Ambient Insensitive, Low Energy Consumption < 3 W
- Accumulation to Running time (Bar-graph), Operating Time.
- Options Fail safe Operation (Type N) or Non Fail safe Operation (Type R)

Specification

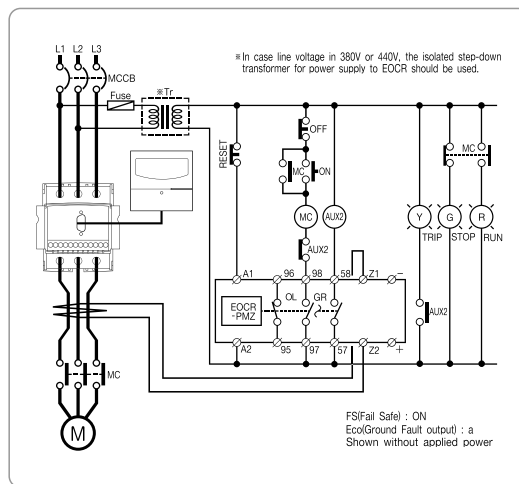
TYPE	PMZ	PFZ
Current Range	0.5 - 70 A	
Over Current	DEF : 0-Time (0.2 - 30 secon)	
Under Current	DEF : 0.5 - 30 secon	
Phase Loss	3 secon	
Phase Unbalance	8 secon	
Phase Reversal	0.1 secon	
Stall	While motor is working (>180% Times OC) ~ 0.5 secon after D-Time (1-200 secon)	
Locked Rotor	While motor is starting (2 - 10 Times OC) ~ (1 - 10 secon)	
Ground Fault	DEF : 0.03-10 A, INV : 0.5-1A	
Current Output	4 - 20 mA	
Mounting Support	35 mm Din rail / Panel Mounting	35 mm Din rail / Panel Flush Mounting
Output Contact	OL	2-SPST
	GR	1-SPST
	Rating	3A / 250 VAC Resistive
Control Voltage	85 - 250 VAC ; 50 - 60Hz	
Display Type	7 Segment LED	
Dielectric Strenght	2 kV at 50...60 Hz, Insulation Voltage : 600VAC 50/60 Hz	
Environment	Temp : For Operation : -20° - 60° C , For Storage : -30° - 80° C Humidity : 45~85% RH, Non Condensing	
IP Protection	IP 20 IEC 60529	
Weight	0.448 kg	0.679 kg

(*> 70A - 3600A) Use External CT Option

Typical Wiring



* PMZ

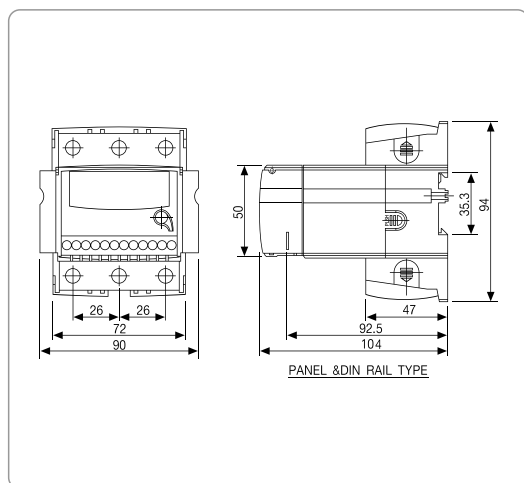


* PFZ

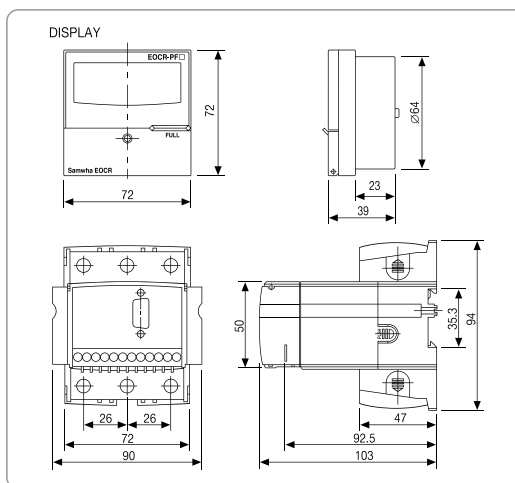
Electronic Over Current Relay (EOCR)

EOCR P Series

Dimension



* PMZ



* PFZ

External CT Options / Current Range

Current Setting Range (Amps)	Number of Conductors thru CT windows	External CT Ratio	Setting of CT Ratio	Remark
0.5 ~ 60A	1	-	OFF	Wide Range
0.25 ~ 3.0A	2	-	2t	
0.1 ~ 1.2A	5	-	5t	
1 ~ 12A	1	10 : 5	10	
1.5 ~ 18A	1	15 : 5	15	
2.0 ~ 24A	1	20 : 5	20	
2.5 ~ 30A	1	25 : 5	25	
3.0 ~ 36A	1	30 : 5	30	
4.0 ~ 48A	1	40 : 5	40	
5 ~ 60A	1	50 : 5	50	
6 ~ 72A	1	60 : 5	60	
7.5 ~ 90A	1	75 : 5	75	
10 ~ 120A	1	100 : 5	100	
12 ~ 144A	1	120 : 5	120	
15 ~ 180A	1	150 : 5	150	
20 ~ 240A	1	200 : 5	200	
25 ~ 300A	1	250 : 5	250	
30 ~ 360A	1	300 : 5	300	
40 ~ 480A	1	400 : 5	400	
50 ~ 600A	1	500 : 5	500	
60 ~ 720A	1	600 : 5	600	
75 ~ 900A	1	750 : 5	750	
80 ~ 960A	1	800 : 5	800	
100 ~ 1200A	1	1000 : 5	1000	
120 ~ 1800A	1	1500 : 5	1500	
200 ~ 3000A	1	2000 : 5	2000	
250 ~ 3000A	1	2500 : 5	2500	
300 ~ 3600A	1	3000 : 5	3000	